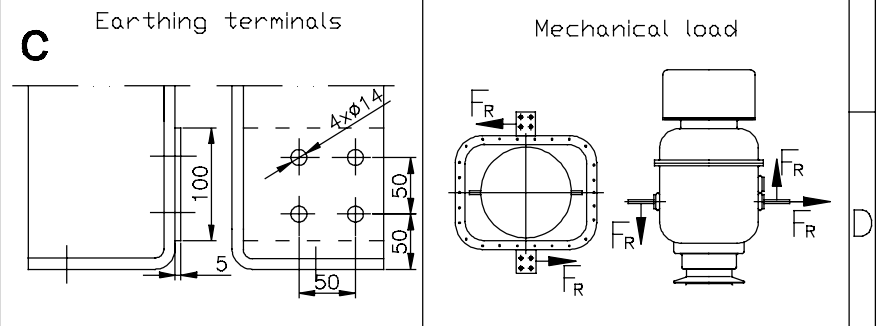
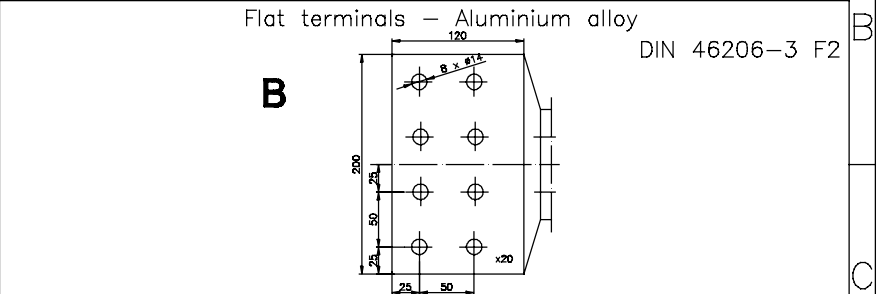


**A**

Primary terminal	$I_{pn}$
1	400 A
2	800 A
3	1600 A



Maximum operating voltage	(kV)	123
Total weight	(kg)	640
Insulating oil amount	(kg)	150
Wind pressure surface	(m <sup>2</sup> )	1,03
Creepage distance	(mm)	3640
Mechanical load:		
$F_R$ - Static load	(kN)	3,6
$F_R$ - Dynamic load	(kN)	5,0

Standard IEC 60044-3

Prepared J.Duzdowski	Date 20.03.2014	Replacement of	Scale 1:15	Size A3
Modified by P.Grysztar	Date 20.03.2014	Responsible department PPHV	Title Dimensional drawing Combined instrument transformer PVA 123	Language EN
Approved by M.Tarnowski	Date 20.03.2014	Take over department		
Revision A	ABB Sp. z o.o. Power Products		Document no. 2GKK614213/MRSK Severo-Zapada_KU2B8-14	No. Shts. 1

We reserve all rights in this document and in the information contained therein. Reproduction, use or disclosure to third parties without express authority is strictly forbidden. ABB Sp. z o.o.

Zastrzegamy sobie wszelkie prawa do tego dokumentu i zawartych w nim informacji. Kopiowanie, używanie i przekazywanie osobom trzecim bez zezwolenia surowo wzbronione. ABB Sp. z o.o.

**D 1:5**

All dimensions in mm