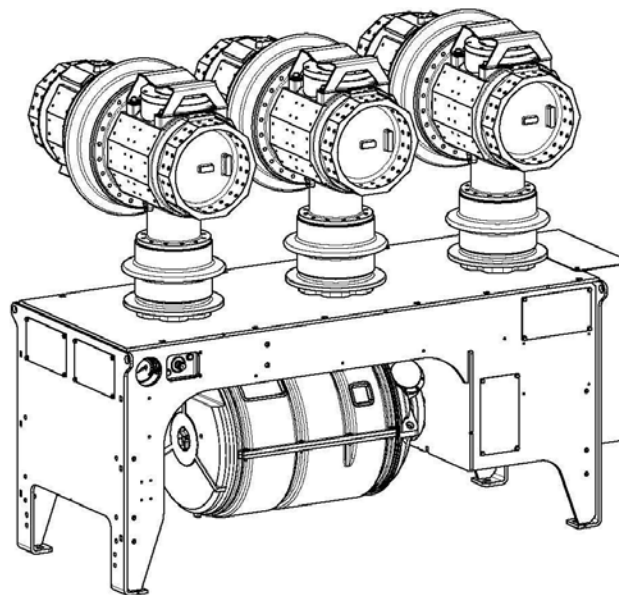


ГАБАРИТНО УСТАНОВОЧНЫЕ ЧЕРТЕЖИ

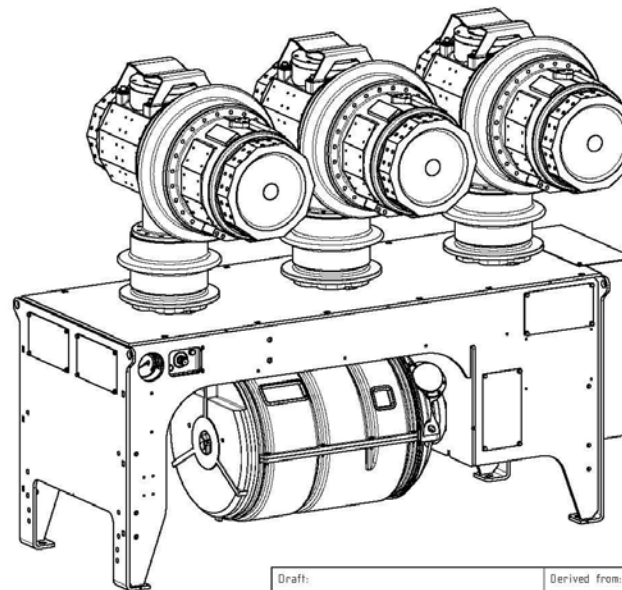
ВЫКЛЮЧАТЕЛЬ HECS-100R \ HECS-130R



АЛЬТЕРНАТИВНОЕ исполнение



ТОЛЬКО ДЛЯ КВОТАЦИЙ

СТАНДАРТНОЕ исполнение



Draft: 2008-10-10 ZEKHNINI	Derived from:	Separate BOM: Without separate BOM	Scale: 1:20	Doc.type: ZE1	Format: A3
Approved: 2008-10-14 STEDING	Replaces:	CIRCUIT-BREAKER OUTLINE DRAWING			
Released: 2008-10-15 CAVALIERE	Responsible department: PTHG	COVER SHEET			
Order number:	Revision: AF	HECS-100R / HECS-130R	Language: EN	No. Sheets: 9	Sheet. no.: 1
 ABB Switzerland Ltd		Document number: 1HC0041456			

SUBJECT TO CHANGES WITHOUT NOTICE

We reserve all rights in this document and in the information contained therein. Reproduction, use or disclosure to third parties without express authority is strictly forbidden.
© Copyright 2008 ABB. All rights reserved.

1 2 3 4 5 6

A

B

C

D

НАЗВАНИЕ ЛИСТА	№ ЛИСТА
ТИТУЛЬНЫЙ ЛИСТ	1
СОДЕРЖАНИЕ	2
ОДНОЛИНЕЙНАЯ ДИАГРАММА	3
РАЗМЕРЫ	4
УСТАНОВОЧНЫЙ ЧЕРТЕЖ	5
КОНДЕНСАТОРЫ	6
ГИБКИЕ СВЯЗИ	7
МОНТАЖ И ОБСЛУЖИВАНИЕ	8
ТРАНСПОРТИРОВКА	9

Draft: 2008-10-10 ZEKHNINI	Derived from:	Separate BOM: Without separate BOM	Scale: ~1:20	Doc.type: ZE1	Format: A3
Approved: 2008-10-14 STEDING	Replaces:	CIRCUIT-BREAKER OUTLINE DRAWING			
Released: 2008-10-15 CAVALIERE	Responsible department: PTHG	TABLE OF CONTENTS			Language: EN
Order number:	Revision: AF	HECS-100R / HECS-130R			No. Sheets: 9
ABB ABB Switzerland Ltd		Document number: 1HC0041456	Sheet. no.: 2		

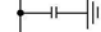
SUBJECT TO CHANGES WITHOUT NOTICE

We reserve all rights in this document and in the information contained therein. Reproduction, use or disclosure to third parties without express authority is strictly forbidden.
© Copyright 2008 ABB. All rights reserved.

1 2 3 4 5 6

HECS-100R \ HECS-130R, МАКСИМАЛЬНАЯ КОМПЛЕКТАЦИЯ

СТОРОНА ТРАНСФОРМАТОРА



КОНДЕНСАТОР (УПАКОВАН ОТДЕЛЬНО)





ВЫКЛЮЧАТЕЛЬ



КОНДЕНСАТОР (УПАКОВАН ОТДЕЛЬНО)



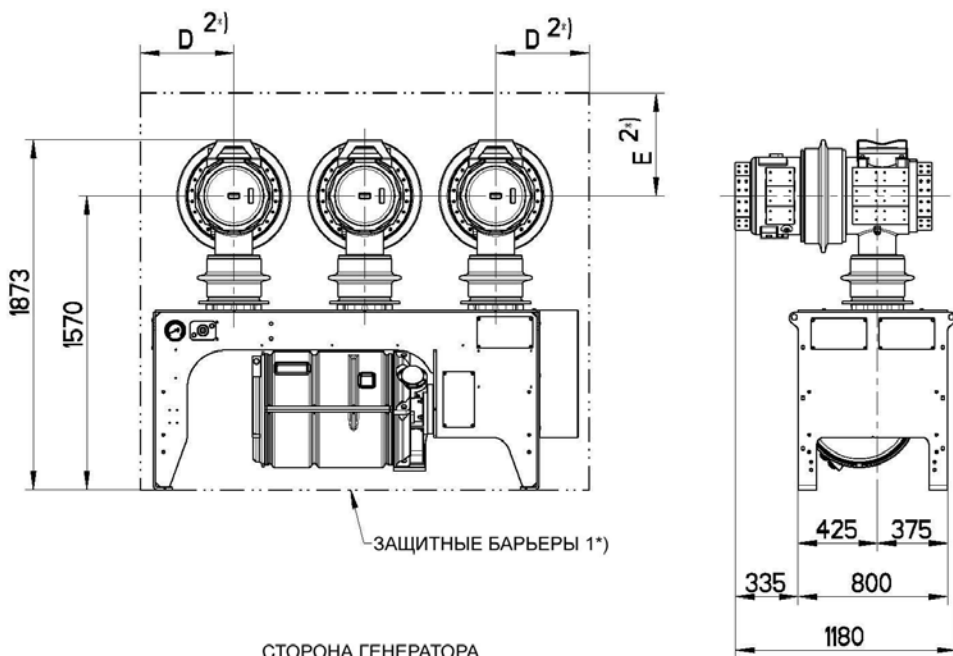
СТОРОНА ГЕНЕРАТОРА

Draft: 2008-10-10 ZEKHNINI	Derived from:	Separate BOM: Without separate BOM	Scale:	Doc.type: ZE1	Format: A3
Approved: 2008-10-14 STEDING	Replaces:	CIRCUIT-BREAKER OUTLINE DRAWING			
Released: 2008-10-15 CAVALIERE	Responsible department: PTHG	ELECTRICAL SINGLE LINE DIAGRAM			
Order number:	Revision: AF	HECS-100R / HECS-130R	Language: EN		
 ABB Switzerland Ltd		Document number: 1HC0041456	No. Sheets: 9		
			Sheet. no.: 3		

SUBJECT TO CHANGES WITHOUT NOTICE

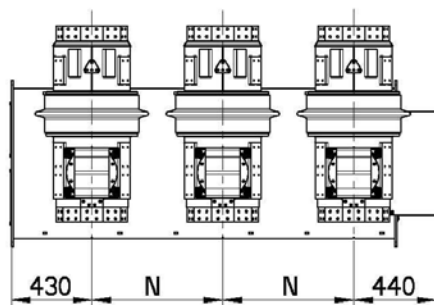
We reserve all rights in this document and in the information contained therein. Reproduction, use or disclosure to third parties without express authority is strictly forbidden.
© Copyright 2008 ABB. All rights reserved.

АЛЬТЕРНАТИВНОЕ исполнение



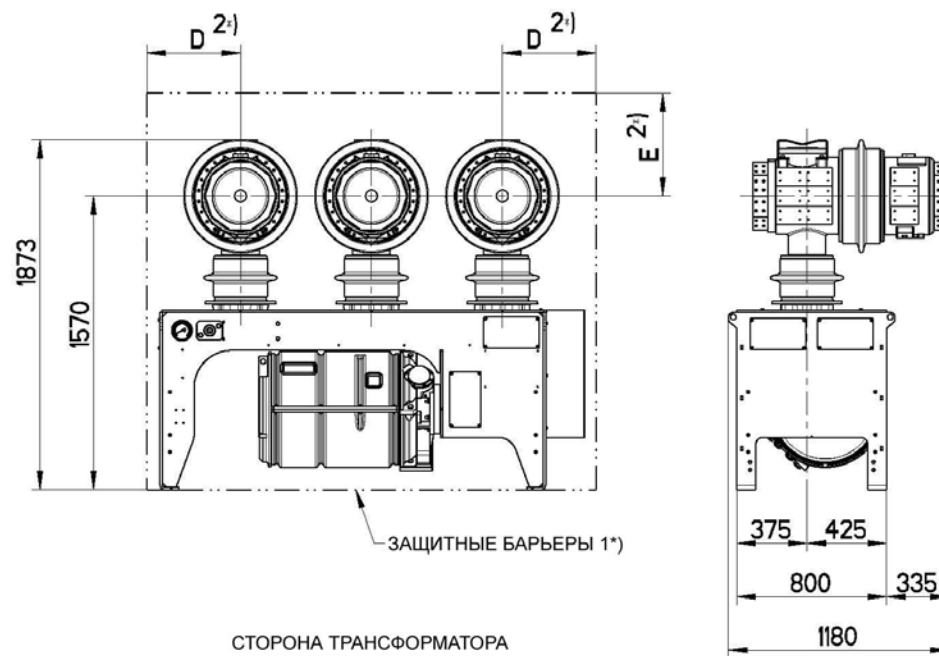
ЗАЩИТНЫЕ БАРЬЕРЫ 1*)

СТОРОНА ГЕНЕРАТОРА



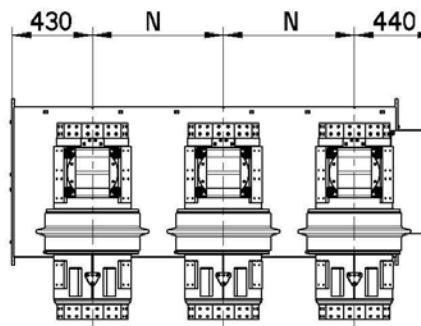
СТОРОНА ТРАНСФОРМАТОРА

СТАНДАРТНОЕ исполнение



ЗАЩИТНЫЕ БАРЬЕРЫ 1*)

СТОРОНА ТРАНСФОРМАТОРА



СТОРОНА ГЕНЕРАТОРА

2*) РАССТОЯНИЕ ДО ЛЮБОГО ПРЕДМЕТА

1*) НЕ ВХОДИТ В ПОСТАВКУ АББ

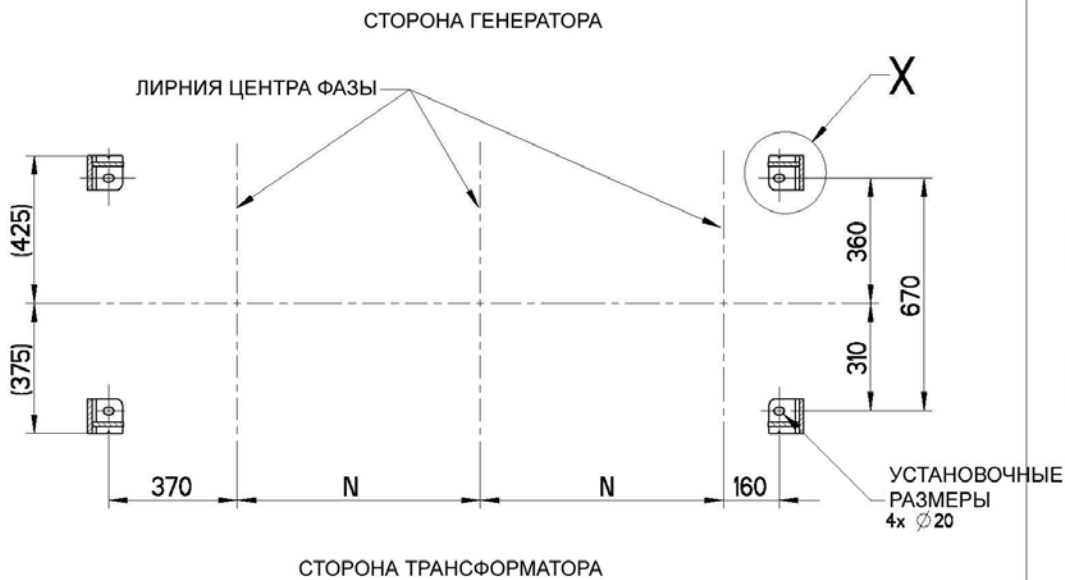
125KV	150KV	
N : 700 - 1400		МЕЖФАЗНОЕ РАССТОЯНИЕ
D : MIN. 450	D : MIN. 500	МИН. РАССТОЯНИЕ ОТ ЦЕНТРА ФАЗЫ ДО ОГРАЖДЕНИЯ ИЗ-ЗА ДИЭЛЕКТРИЧЕСКИХ СООБРАЖЕНИЙ
E : MIN. 500	E : MIN. 550	МИН. РАССТОЯНИЕ ОТ ЦЕНТРА ФАЗЫ ДО ОГРАЖДЕНИЯ ИЗ-ЗА ДИЭЛЕКТРИЧЕСКИХ СООБРАЖЕНИЙ

Draft: 2008-10-10 ZEKHNINI	Derived from:	Separate BOM: Without separate BOM	Scale: ~1:20	Doc.-type: ZEI	Format: A3
Approved: 2008-10-14 STEDING	Replaces:	CIRCUIT-BREAKER OUTLINE DRAWING	DIMENSIONS		
Released: 2008-10-15 CAVALIERE	Responsible department: PTHG	HECS-100R / HECS-130R			
Order number:	Revision: AF	Document number: 1HC0041456	No. Sheets: 9		
ABB Switzerland Ltd			Sheet. no.: 4		

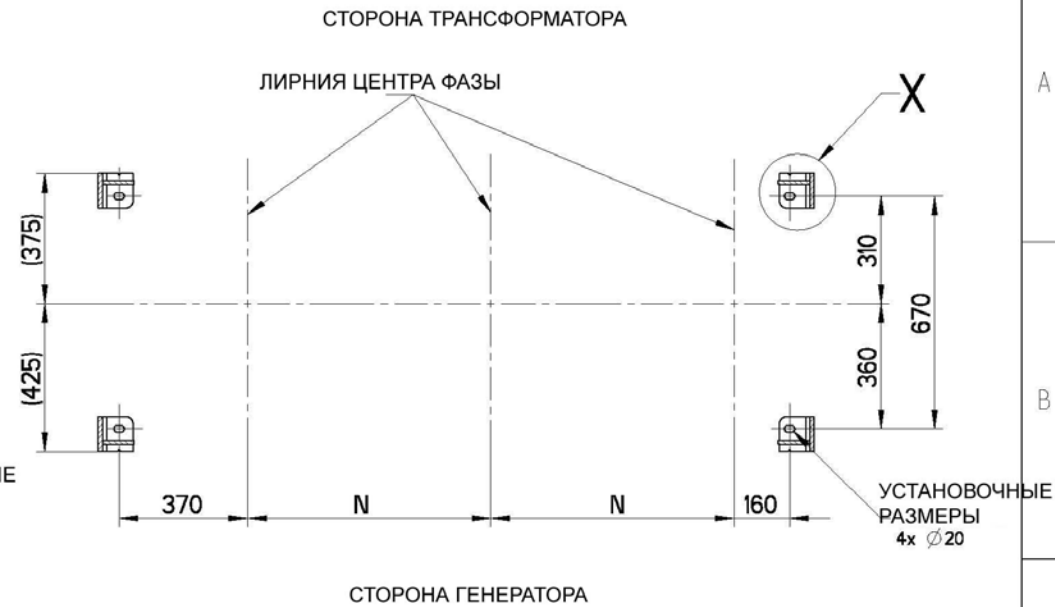
SUBJECT TO CHANGES WITHOUT NOTICE

We reserve all rights in this document and in the information contained therein. Reproduction, use or disclosure to third parties without express authority is strictly forbidden.
© Copyright 2008 ABB. All rights reserved.

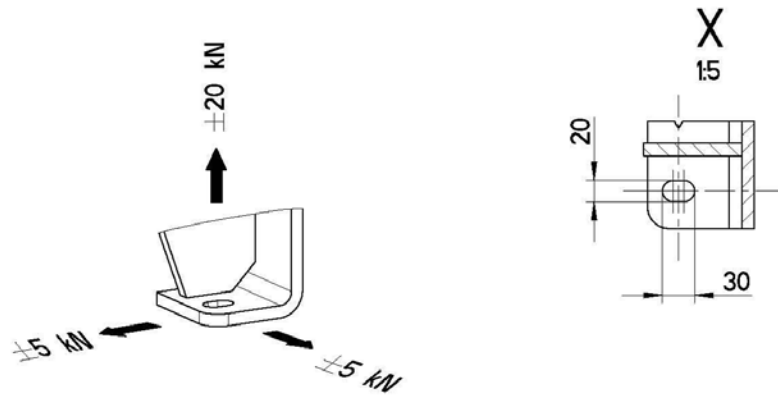
АЛЬТЕРНАТИВНОЕ исполнение



СТАНДАРТНОЕ исполнение



ДИНАМИЧЕСКИЕ УСИЛИЯ ПРИ КОММУТАЦИЯХ



N: МЕЖФАЗНОЕ РАССТОЯНИЕ 700 - 1400

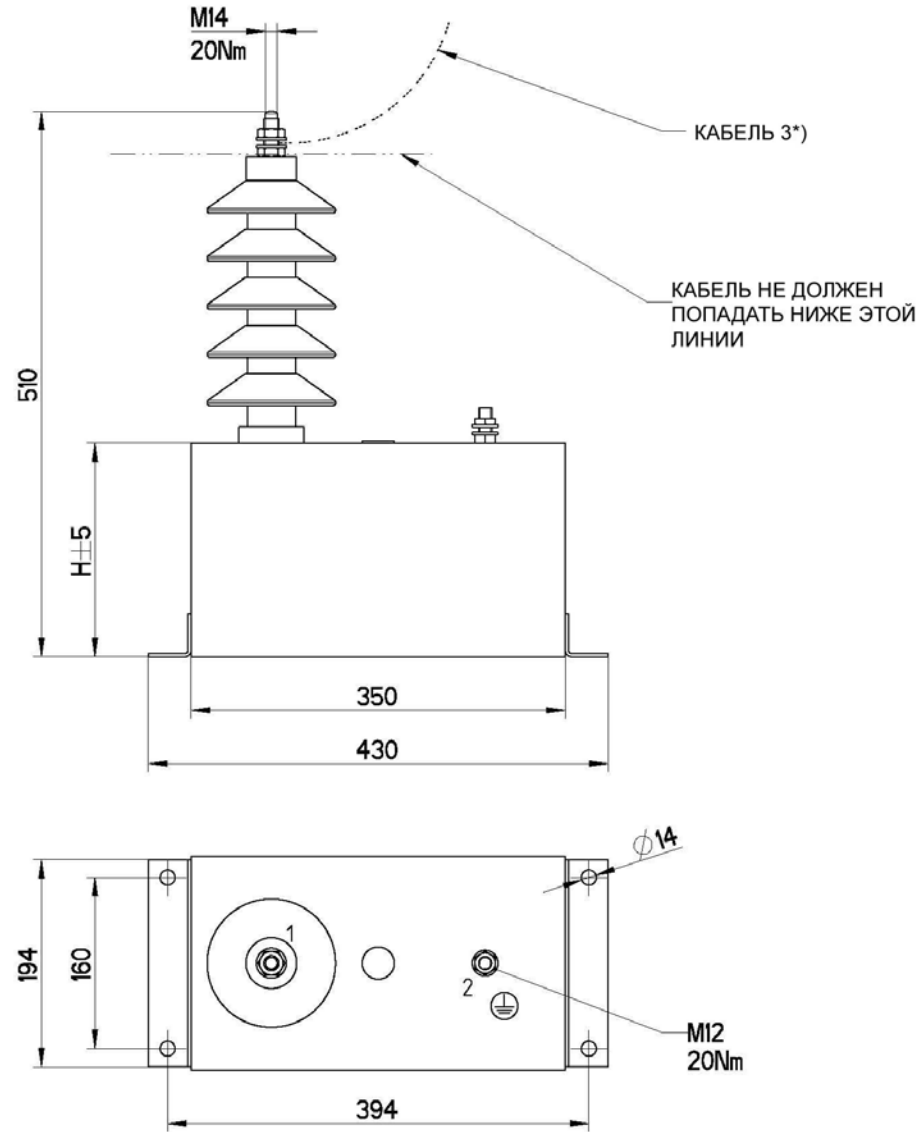
SUBJECT TO CHANGES WITHOUT NOTICE

We reserve all rights in this document and in the information contained therein. Reproduction, use or disclosure to third parties without express authority is strictly forbidden.
© Copyright 2008 ABB. All rights reserved.

Draft: 2008-10-10 ZEKHNINI	Derived from:	Separate BOM: Without separate BOM	Scale: ~1:20	Doc.type: ZE1	Format: A3
Approved: 2008-10-14 STEDING	Replaces:	CIRCUIT-BREAKER OUTLINE DRAWING			
Released: 2008-10-15 CAVALIERE	Responsible department: PTHG	FLOOR PLAN			Language: EN
Order number:	Revision: AF	HECS-100R / HECS-130R			No. Sheets: 9
ABB ABB Switzerland Ltd		Document number: 1HC0041456			Sheet. no.: 5

КОНДЕНСАТОР 130 нФ

МАКС. ТЕМПЕРАТУРА ОКР. ВОЗДУХА 80°C
ВЕС: 22 кг



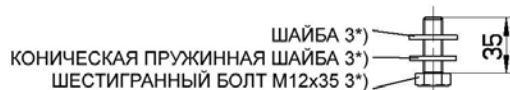
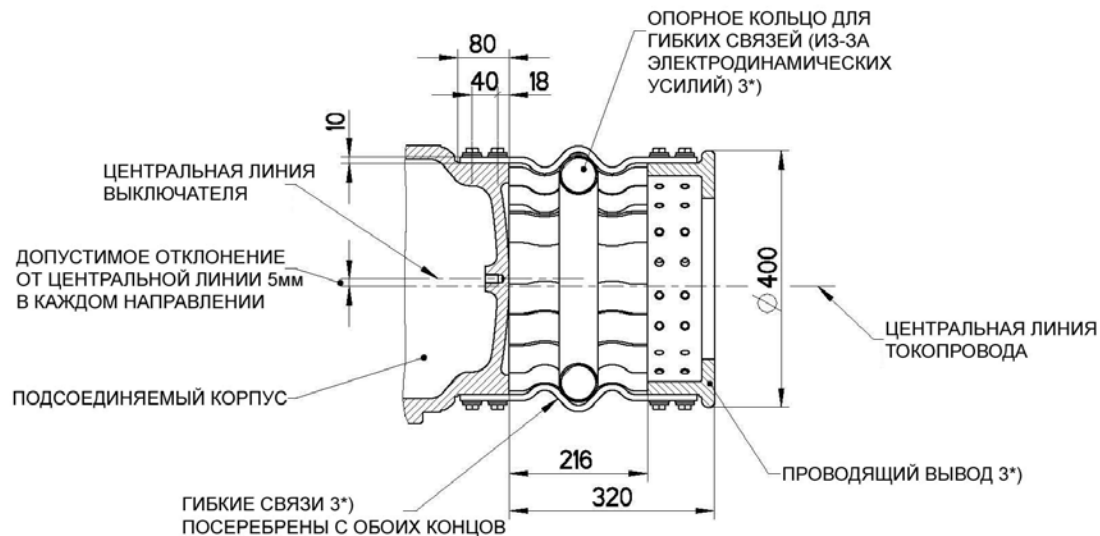
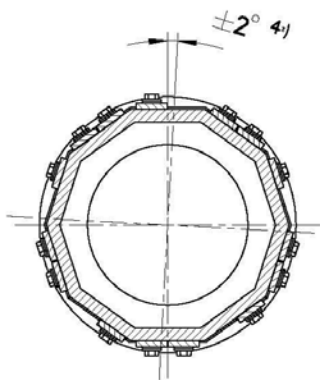
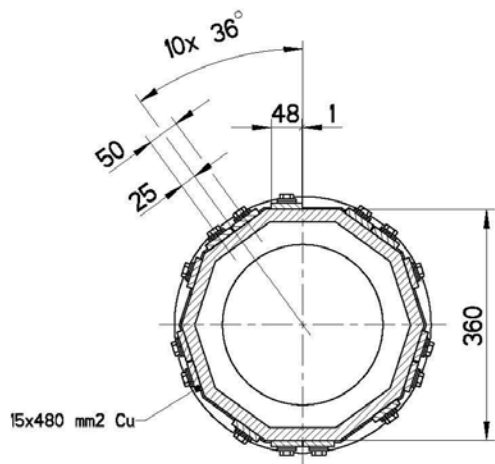
3*) НЕ ВХОДИТ В ОБЪЕМ ПОСТАВКИ АББ
ДОЛЖНО БЫТЬ ПОСТАВЛЕНО ОТДЕЛЬНО

Draft: 2008-10-10 ZEKHNINI	Derived from:	Separate BOM: Without separate BOM	Scale: ~1:20	Doc.type: ZE1	Format: A3
Approved: 2008-10-14 STEDING	Replaces:	CIRCUIT-BREAKER OUTLINE DRAWING			
Released: 2008-10-15 CAVALIERE	Responsible department: PTHG	CAPACITOR			
Order number:	Revision: AF	HECS-100R / HECS-130R	Language: EN	No. Sheets: 9	Sheet. no.: 6
ABB Switzerland Ltd		Document number: 1HC0041456			

SUBJECT TO CHANGES WITHOUT NOTICE

We reserve all rights in this document and in the information contained therein. Reproduction, use or disclosure to third parties without express authority is strictly forbidden.
© Copyright 2008 ABB. All rights reserved.

ИСПЫТАННАЯ ЗОНА ПОДСОЕДИНЕНИЯ (В СООТВЕТСТВИИ С МЭК 61936-1)
 ИМПУЛЬСНАЯ ПРОЧНОСТЬ ГРОЗОВОГО ИМПУЛЬСА 125кВ \ 150кВ
 ДЕЙСТВИТЕЛЬНА КАК ДЛЯ ГЕНЕРАТОРНОЙ, ТАК И ДЛЯ ТРАНСФОРМАТОРНОЙ СТОРОНЫ
 ЛЮБЫЕ ОТКЛОНЕНИЯ ОТ ДАННОГО ЧЕРТЕЖА ИЛИ СПОСОБЕ УСТАНОВКИ
 МОГУТ ПРИВЕСТИ К ПОВРЕЖДЕНИЮ ОБОРУДОВАНИЯ И СОЗДАТЬ
 УГРОЗУ ДЛЯ ПЕРСОНАЛА

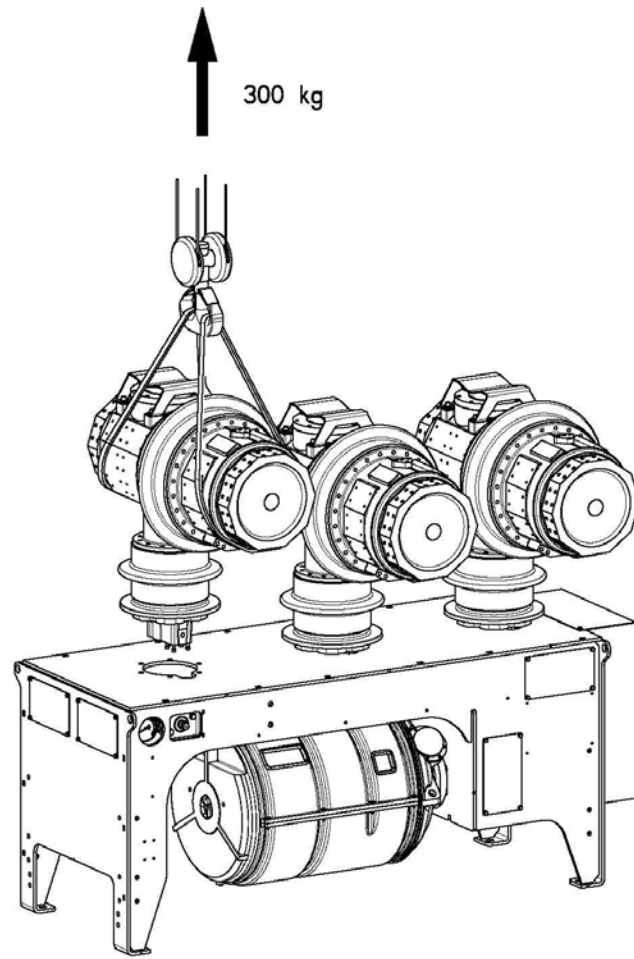
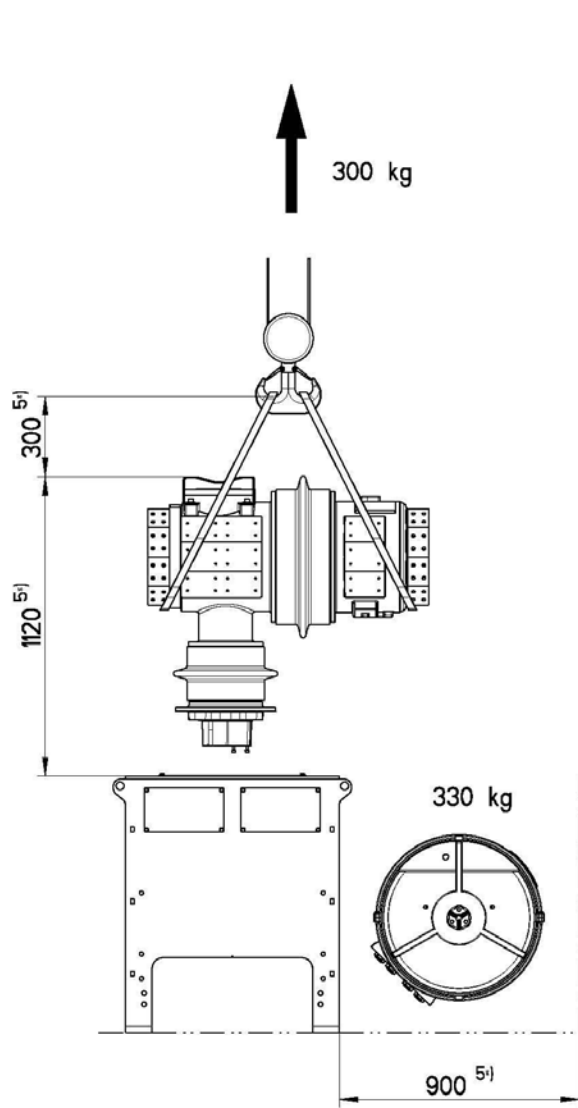


4*) МАКС. ОТКЛОНЕНИЕ МЕЖДУ ЦЕНТРАЛЬНЫМИ ОСЯМИ ПОДСОЕДИНЯЕМОГО КОРПУСА И ПРОВОДЯЩИМ ВЫВОДОМ 3*) НЕ ВХОДИТ В ОБЪЕМ ПОСТАВКИ АББ ДОЛЖНО БЫТЬ ЗАКАЗАНО ОТДЕЛЬНО

Draft: 2008-10-10 ZEKHNINI	Derived from:	Separate BOM: Without separate BOM	Scale: ~1:20	Doc. type: ZE1	Format: A3
Approved: 2008-10-14 STEDING	Replaces:	CIRCUIT-BREAKER OUTLINE DRAWING			
Released: 2008-10-15 CAVALIERE	Responsible department: PTHG	FLEXIBLE CONNECTIONS			Language: EN
Order number:	Revision: AF	HECS-100R / HECS-130R			No. Sheets: 9
ABB ABB Switzerland Ltd		Document number: 1HC0041456			Sheet. no.: 7

SUBJECT TO CHANGES WITHOUT NOTICE



We reserve all rights in this document and in the information contained therein. Reproduction, use or disclosure to third parties without express authority is strictly forbidden.
 © Copyright 2008 ABB. All rights reserved.



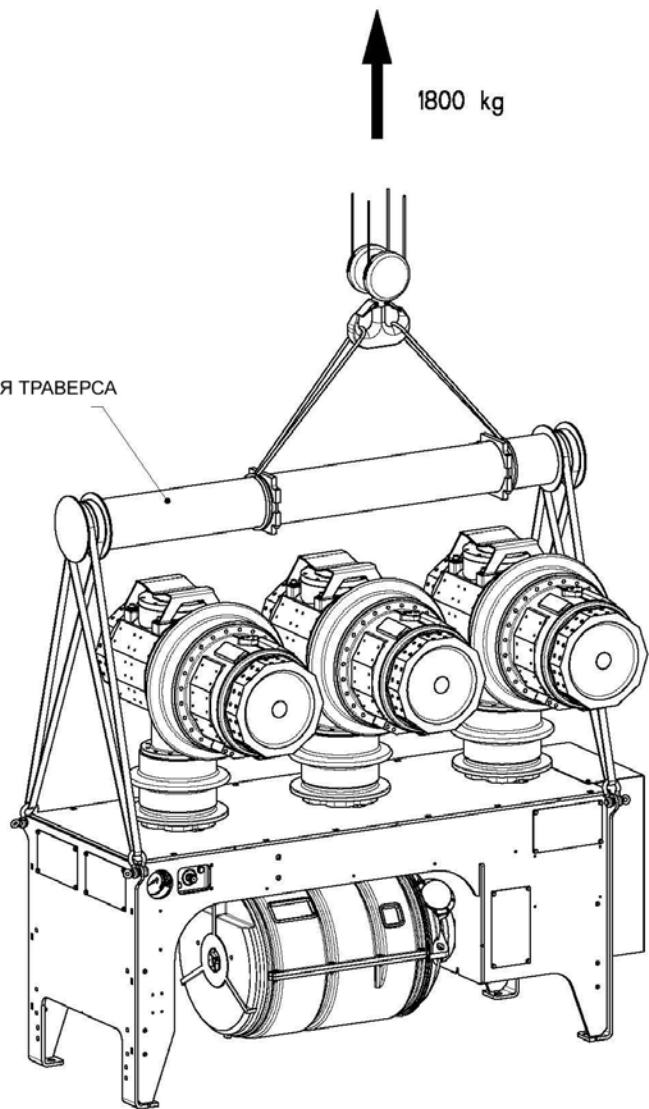
5*) МИН. ПРОСТРАНСТВО ТРЕБУЕМОЕ ДЛЯ МОНТАЖА И ОБСЛУЖИВАНИЯ



SUBJECT TO CHANGES WITHOUT NOTICE

We reserve all rights in this document and in the information contained therein. Reproduction, use or disclosure to third parties without express authority is strictly forbidden.
© Copyright 2008 ABB. All rights reserved.

Draft: 2008-10-10 ZEKHNINI	Derived from:	Separate BOM: Without separate BOM	Scale: 1:20	Doc.type: ZE1	Format: A3
Approved: 2008-10-14 STEDING	Replaces:	CIRCUIT-BREAKER OUTLINE DRAWING			
Released: 2008-10-15 CAVALIERE	Responsible department: PTHG	SERVICE AND MAINTENANCE			
Order number:	Revision: AF	HECS-100R / HECS-130R	Language: EN No. Sheets: 9 Sheet. no.: 8		
 ABB Switzerland Ltd		Document number: 1HC0041456			

ПОДЪЕМНАЯ ТРАВЕРСА



Draft: 2008-10-10 ZEKHNINI	Derived from:	Separate BOM: Without separate BOM	Scale: 1:20	Doc.type: ZE1	Format: A3
Approved: 2008-10-14 STEDING	Replaces:	CIRCUIT-BREAKER OUTLINE DRAWING	 Language: EN		
Released: 2008-10-15 CAVALIERE	Responsible department: PTHG	TRANSPORTATION			
Order number:	Revision: AF	HECS-100R / HECS-130R	No. Sheets: 9		
 ABB Switzerland Ltd		Document number: 1HC0041456	Sheet. no.: 9		

SUBJECT TO CHANGES WITHOUT NOTICE

We reserve all rights in this document and in the information contained therein. Reproduction, use or disclosure to third parties without express authority is strictly forbidden.
© Copyright 2008 ABB. All rights reserved.