

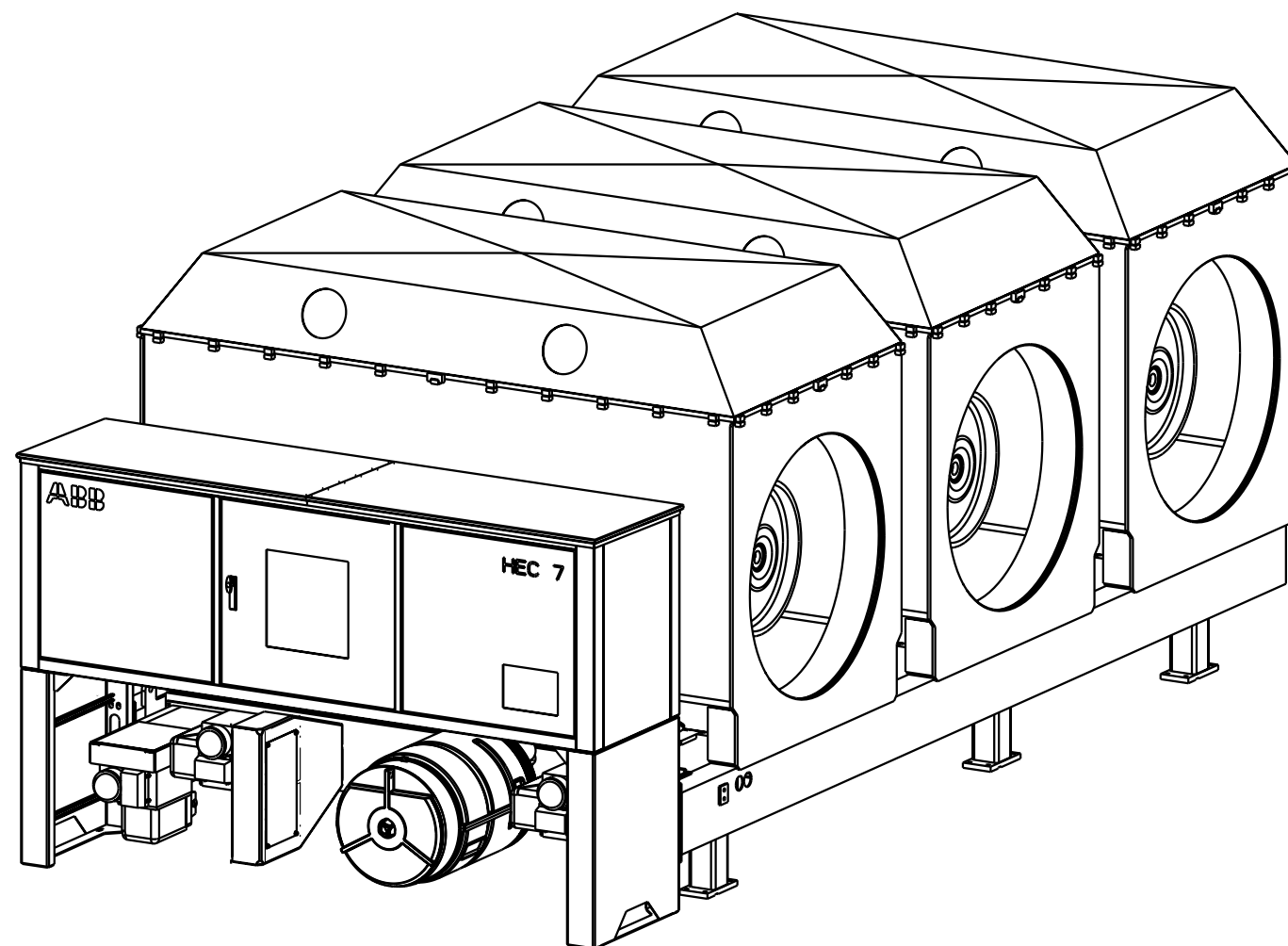
OUTLINE DRAWING

VALID FOR QUOTATION ONLY



CIRCUIT-BREAKER SYSTEM HEC 7

TITLE OF SHEET	SHEET NO.
COVER SHEET	1
ELECTRICAL SINGLE LINE DIAGRAM	2
DIMENSIONS FOR STANDARD HEIGHT	3
DIMENSIONS WITH POLFRAME SUPPORT	4
FLOOR PLAN	5
FLEXIBLE CONNECTIONS	6
TESTED CONNECTION ZONE	7
ERECTION	8
TRANSPORTATION	9
SERVICE AND MAINTENANCE	10



Prepared: 2007-10-17 RHYNER	Derived from / Replaces:	Sep.PL same no.: <input type="checkbox"/> Without sep. PL: <input checked="" type="checkbox"/> Scale: % Sep.PL anoth.no.: <input type="checkbox"/>	Doc.type: ZE1	Format: A3
Checked: 2007-10-25 STEDING	Responsible department: PTHG-T	Title: CIRCUIT-BREAKER SYSTEM OUTLINE DRAWING		
Approved: 2008-02-18 MOLLENKOPF	Take over department:	HEC 7		Language: EN
Revision: AF 2007-10-17 RHYNER		COVER SHEET		No. Shts.: 10
ABB ABB Switzerland Ltd		Document number: 1HC0010298		Sht. no.: 1

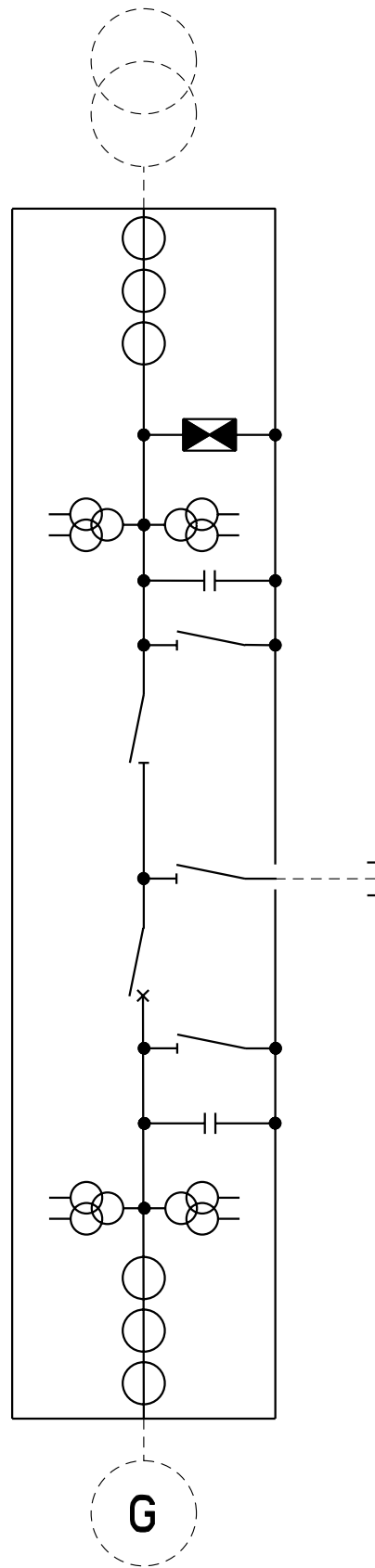
We reserve all rights in this document and in the information contained therein. Reproduction, use or disclosure to third parties without express authority is strictly forbidden.
© Copyright 2002 ABB. All rights reserved.

SUBJECT TO CHANGES WITHOUT NOTICE

RE(released) / Printed 06.02.2009

TRANSFORMER SIDE

HEC 7
FULLY EQUIPPED



CURRENT TRANSFORMER

SURGE ARRESTER

VOLTAGE TRANSFORMER

CAPACITOR

EARTHING SWITCH

DISCONNECTOR

SHORT CIRCUITING LINK

CIRCUIT-BREAKER

EARTHING SWITCH

CAPACITOR

VOLTAGE TRANSFORMER

CURRENT TRANSFORMER

GENERATOR SIDE

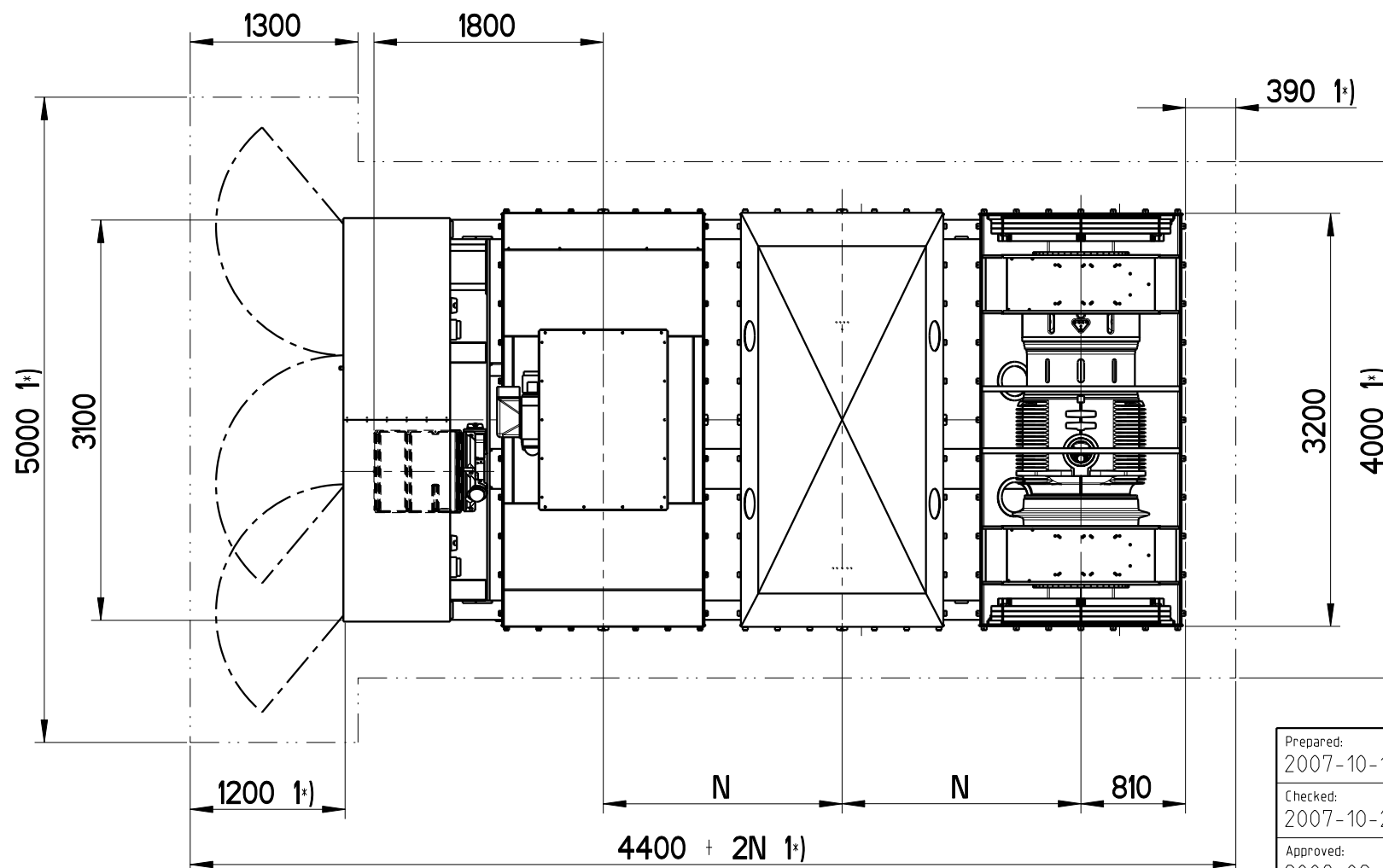
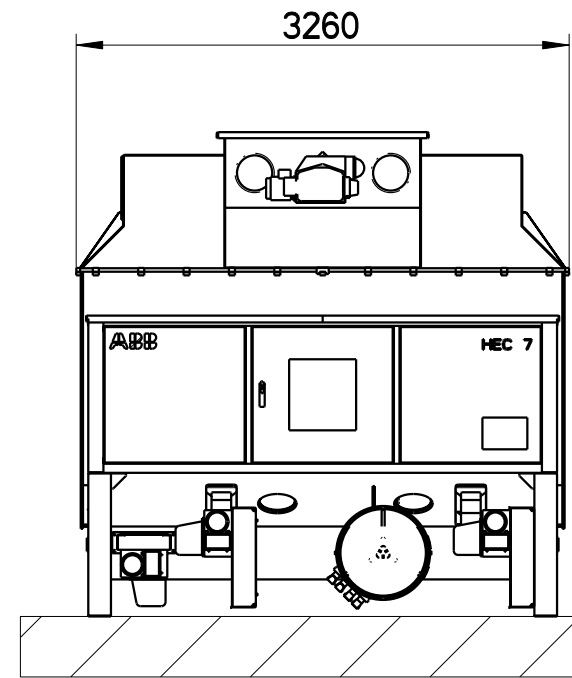
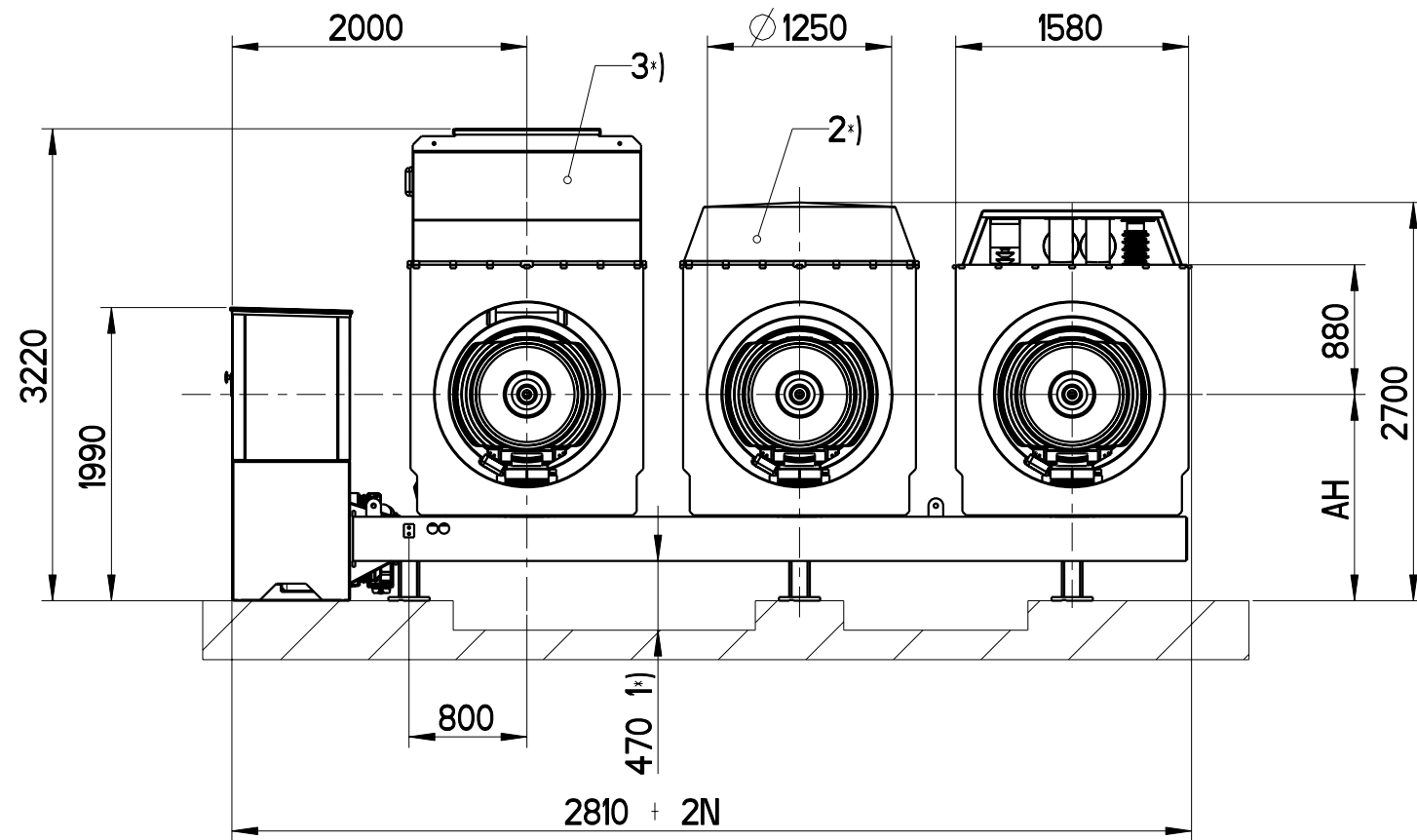
Prepared: 2007-10-17 RHYNER	Derived from / Replaces:	Sep.PL same no.: <input type="checkbox"/> Without sep. PL: <input checked="" type="checkbox"/> Scale: % Sep.PL anoth.no.: <input type="checkbox"/>	Doc.type: ZE1	Format: A3
Checked: 2007-10-25 STEDING	Responsible department: PTHG-T	Title: CIRCUIT-BREAKER SYSTEM OUTLINE DRAWING		
Approved: 2008-02-18 MOLLENKOPF	Take over department:	HEC 7		Language: EN
Revision: AF 2007-10-17 RHYNER		ELECTRICAL SINGLE LINE DIAGRAM		No. Shts.: 10
ABB Switzerland Ltd		Document number: 1HC0010298		Sht. no.: 2

We reserve all rights in this document and in the information contained therein. Reproduction, use or disclosure to third parties without express authority is strictly forbidden.
© Copyright 2002 ABB. All rights reserved.

SUBJECT TO CHANGES WITHOUT NOTICE

RE(released) / Printed 06.02.2009

RE(released) / Printed 06.02.2009



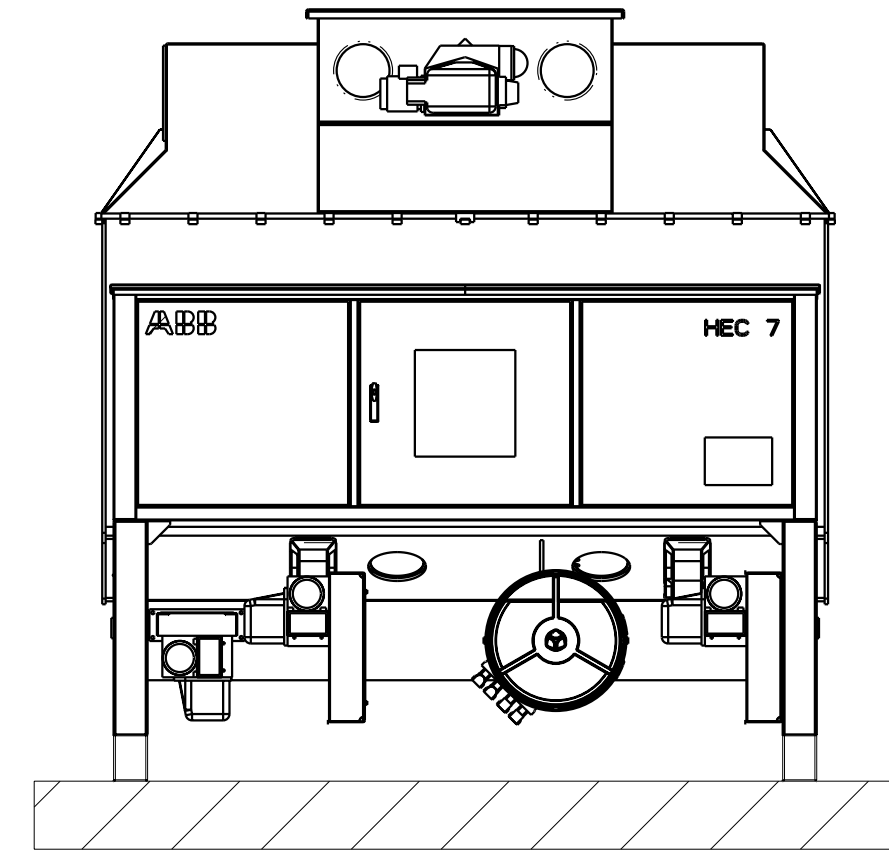
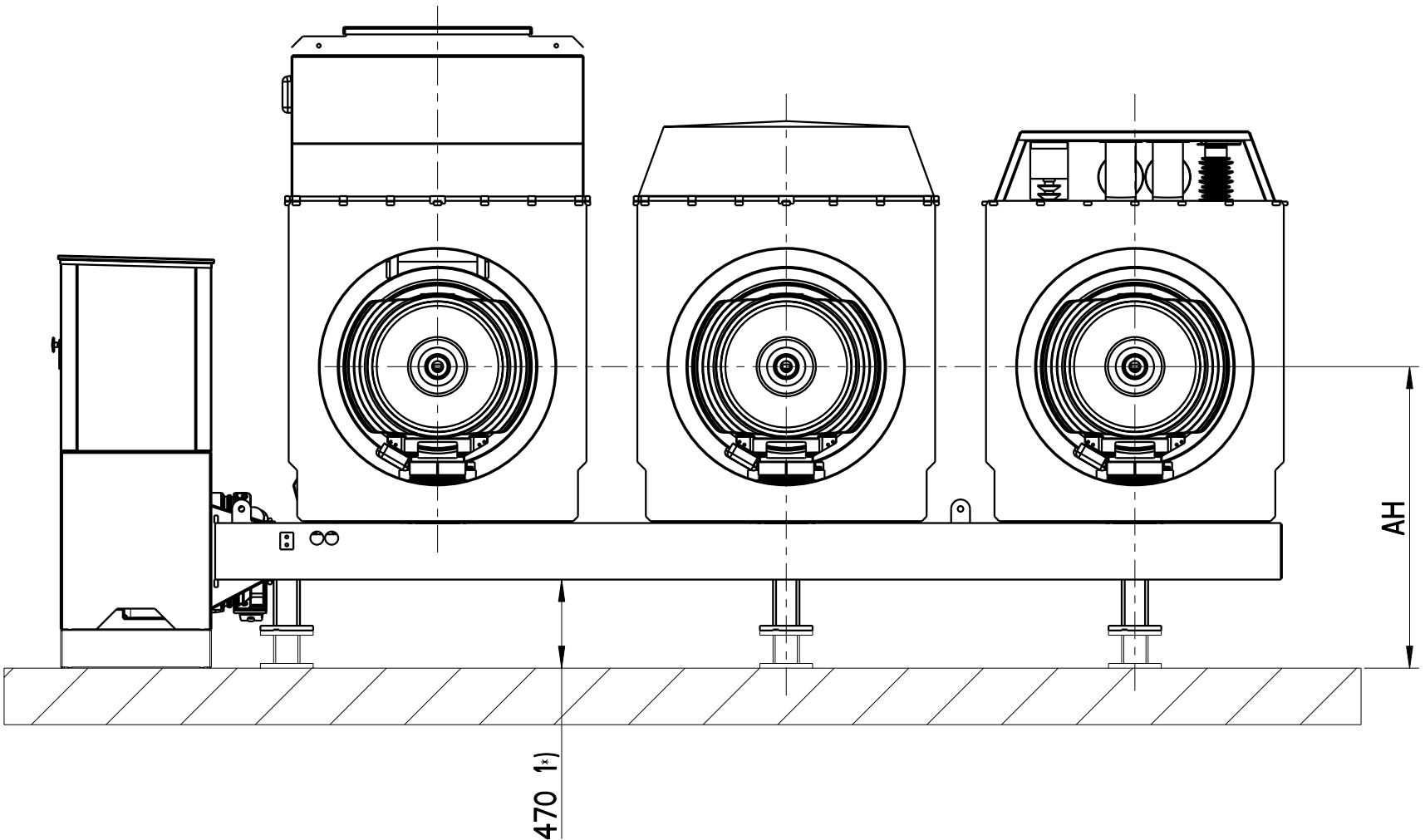
N = PHASE DISTANCE	1650-2100
AH = HEIGHT OF CENTER LINE OF IPB	1400

- 3) COVER WITH MOTOR OPERATED SHORT CIRCUITING LINK
- 2) STANDARD COVER
- 1) MIN. SPACE REQUIRED FOR ERECTION AND MAINTENANCE

Prepared: 2007-10-17 RHYNER	Derived from / Replaces:	Sep.PL same no.: <input type="checkbox"/> Without sep. PL: <input checked="" type="checkbox"/> Scale: %	Doc.type: ZE1	Format: A3
Checked: 2007-10-25 STEDING	Responsible department: PTHG-T	Sep.PL anoth.no.: <input type="checkbox"/>	Title: CIRCUIT-BREAKER SYSTEM OUTLINE DRAWING	
Approved: 2008-02-18 MOLLENKOPF	Take over department:	HEC 7		Language: EN
Revision: AF 2007-10-17 RHYNER		DIMENSIONS FOR STANDARD HEIGHT		No. Shts.: 10
ABB Switzerland Ltd		Document number: 1HC0010298		Sht. no.: 3

We reserve all rights in this document and in the information contained therein. Reproduction, use or disclosure to third parties without express authority is strictly forbidden.
© Copyright 2002 ABB. All rights reserved.

SUBJECT TO CHANGES WITHOUT NOTICE



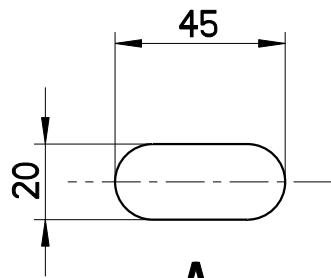
AH = HEIGHT OF CENTER LINE OF IPB 1600-1750

1-) MIN. SPACE REQUIRED FOR ERECTION AND MAINTENANCE

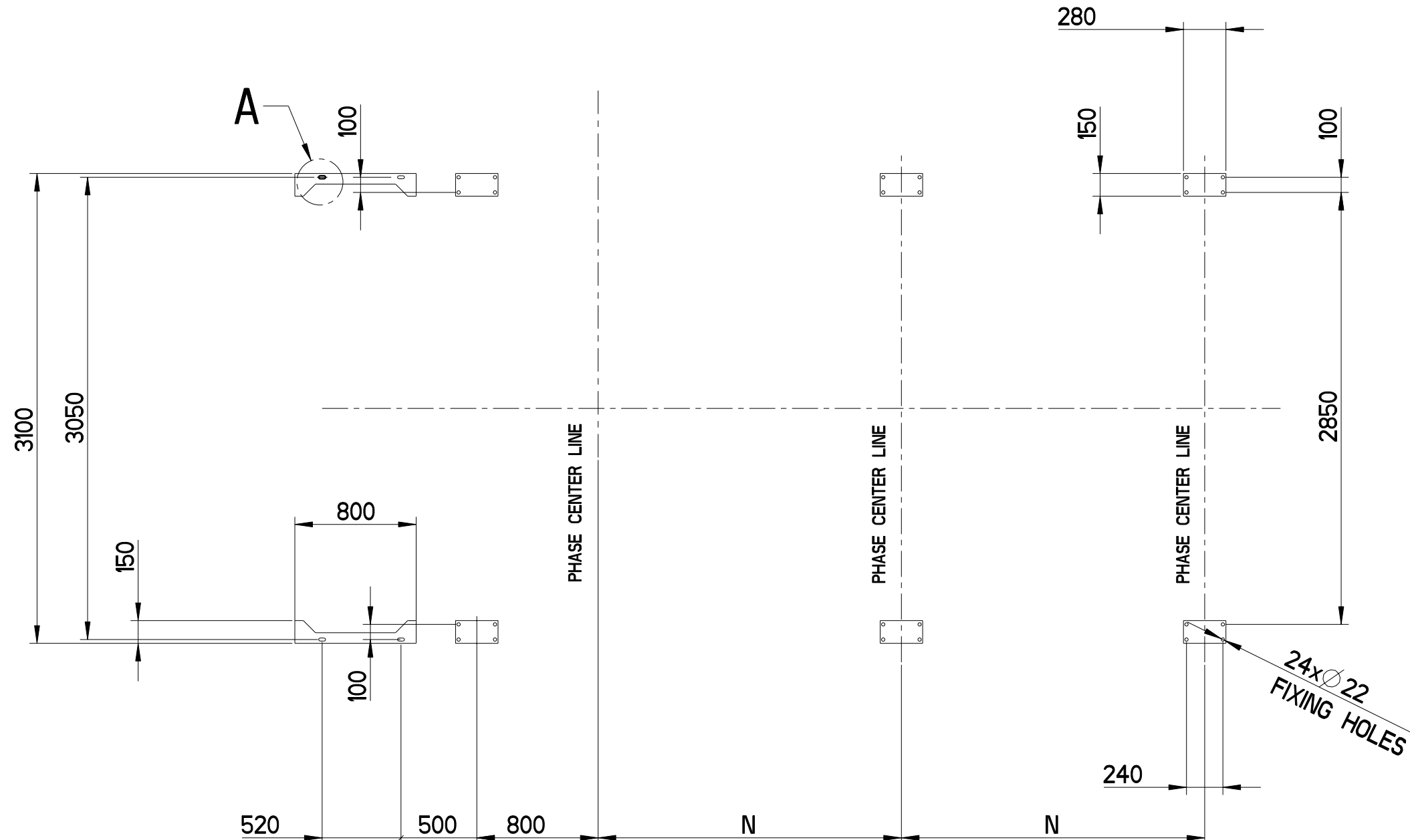
Prepared: 2007-10-17 RHYNER	Derived from / Replaces:	Sep.PL same no.: <input type="checkbox"/> Without sep. PL: <input checked="" type="checkbox"/> Scale: %	Doc.type: ZE1	Format: A3
Checked: 2007-10-25 STEDING	Responsible department: PTHG-T	Sep.PL anoth.no.: <input type="checkbox"/>	Title: CIRCUIT-BREAKER SYSTEM OUTLINE DRAWING	
Approved: 2008-02-18 MOLLENKOPF	Take over department:	HEC 7		Language: EN
Revision: AF 2007-10-17 RHYNER		DIMENSIONS WITH POLFRAME SUPPORT		No. Shts.: 10
ABB ABB Switzerland Ltd		Document number: 1HC0010298		Sht. no.: 4

We reserve all rights in this document and in the information contained therein. Reproduction, use or disclosure to third parties without express authority is strictly forbidden.
© Copyright 2002 ABB. All rights reserved.

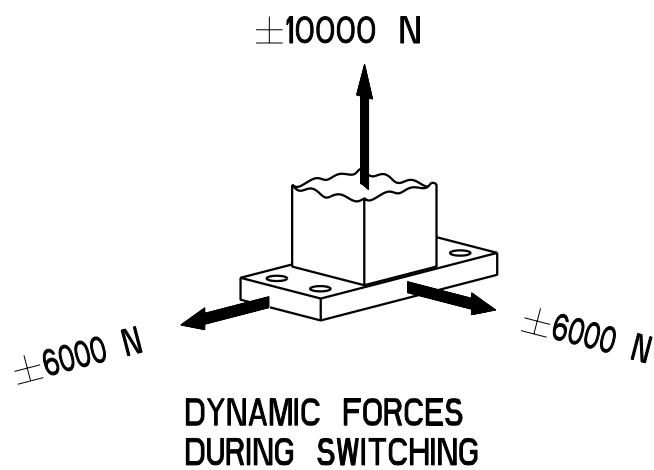
SUBJECT TO CHANGES WITHOUT NOTICE



A
1:2



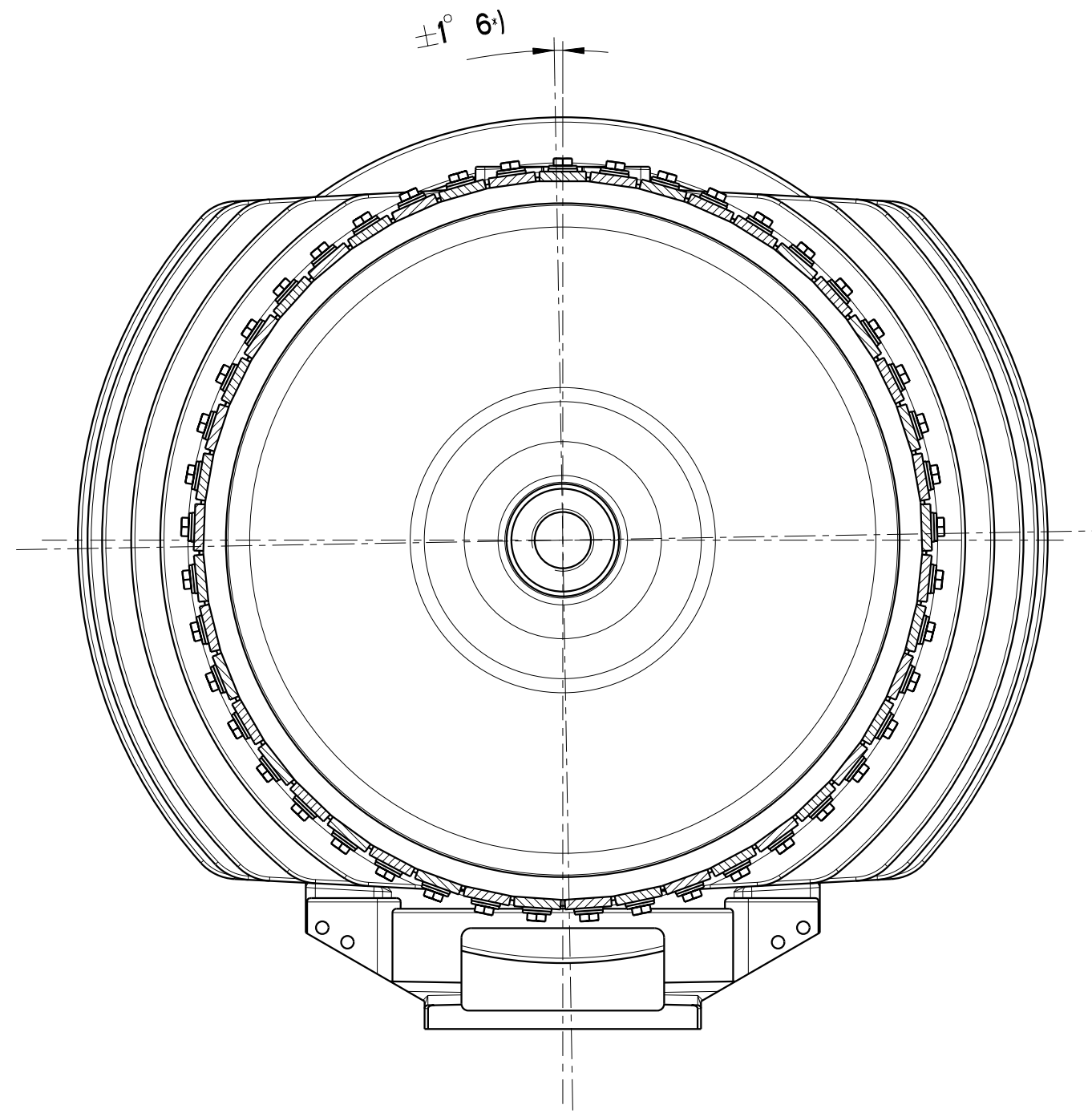
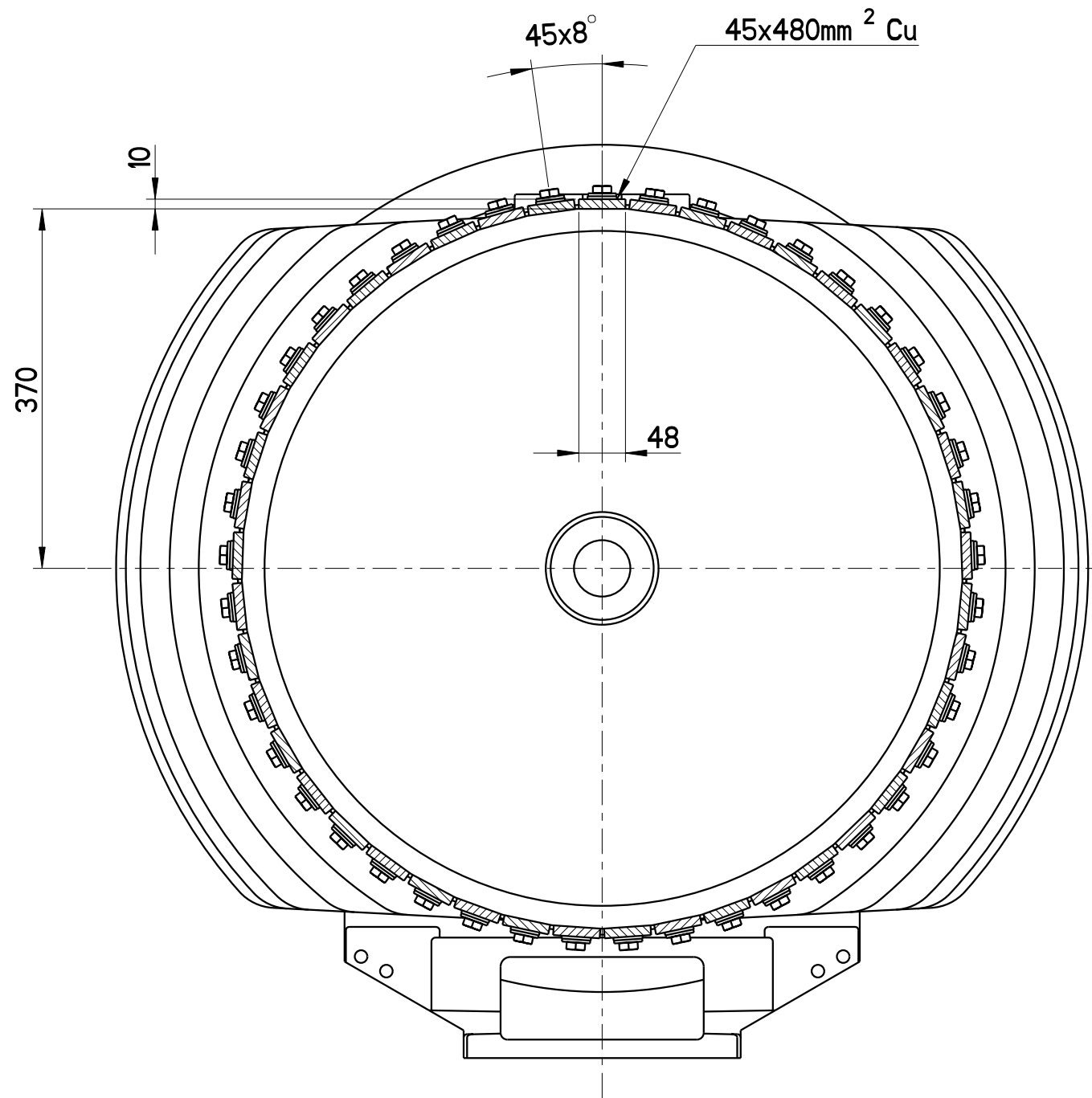
N = PHASE DISTANCE



We reserve all rights in this document and in the information contained therein. Reproduction, use or disclosure to third parties without express authority is strictly forbidden.
© Copyright 2002 ABB. All rights reserved.

Prepared: 2007-10-17 RHYNER	Derived from / Replaces:	Sep.PL same no.: <input type="checkbox"/> Without sep. PL: <input checked="" type="checkbox"/> Scale: % Doc.type: ZE1	Format: A3
Checked: 2007-10-25 STEDING	Responsible department: PTHG-T	Title: CIRCUIT-BREAKER SYSTEM OUTLINE DRAWING	
Approved: 2008-02-18 MOLLENKOPF	Take over department:	HEC 7	
Revision: AF 2007-10-17 RHYNER		FLOOR PLAN	
ABB Switzerland Ltd		Document number: 1HC0010298	No. Shts.: 10 Sht. no.: 5

SUBJECT TO CHANGES WITHOUT NOTICE

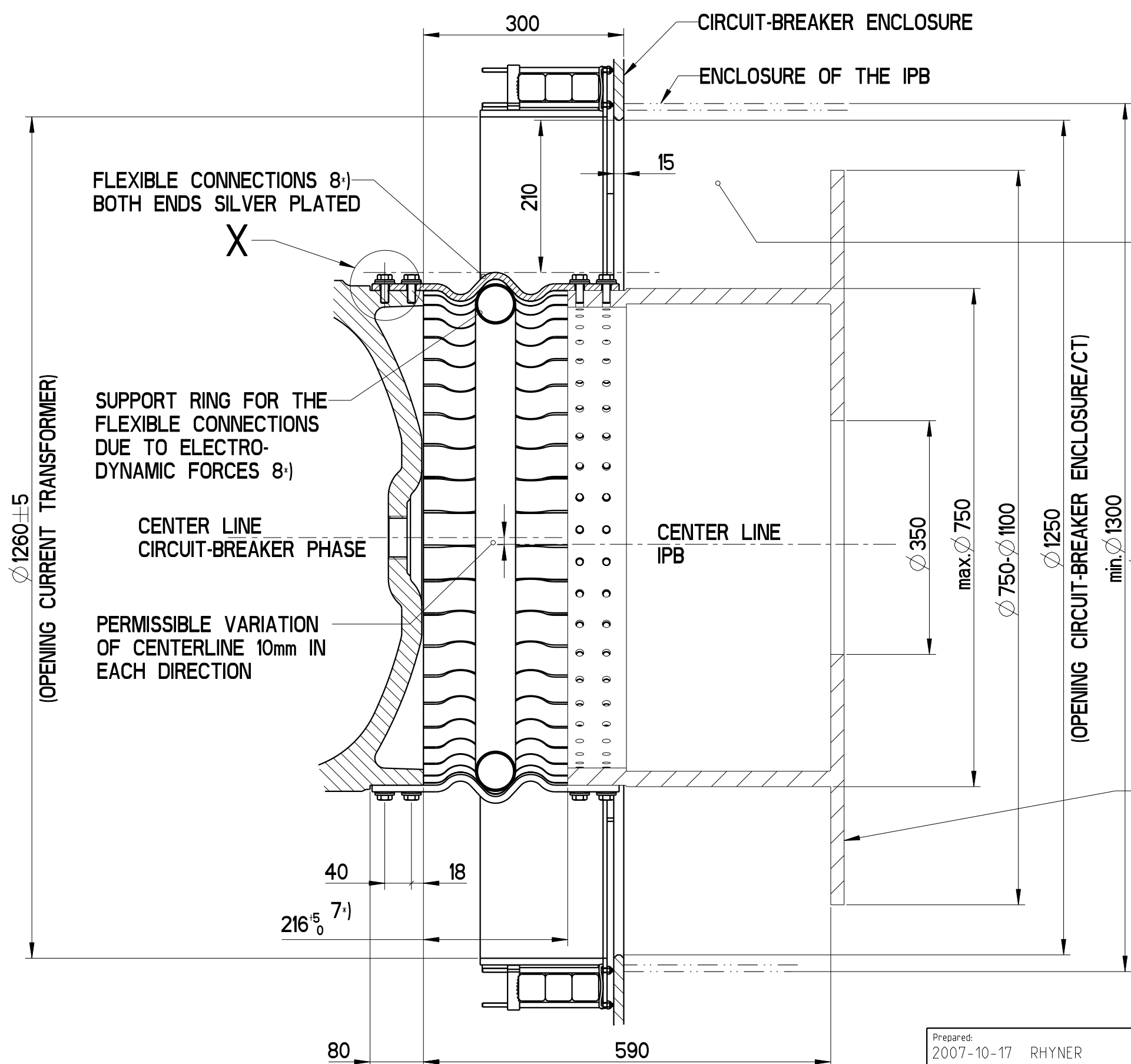


6*) MAXIMUM ROTATION BETWEEN CENTRAL AXES OF CONNECTION HOUSING AND CONDUCTOR TERMINAL

Prepared: 2007-10-17 RHYNER	Derived from / Replaces:	Sep.PL same no.: <input type="checkbox"/> Without sep. PL: <input checked="" type="checkbox"/> Scale: % Sep.PL anoth.no.: <input type="checkbox"/>	Doc.type: ZE1	Format: A3
Checked: 2007-10-25 STEDING	Responsible department: PTHG-T	Title: CIRCUIT-BREAKER SYSTEM OUTLINE DRAWING		Language: EN
Approved: 2008-02-18 MOLLENKOPF	Take over department:	HEC 7		
Revision: AF 2007-10-17 RHYNER		FLEXIBLE CONNECTIONS		No. Shts.: 10
ABB Switzerland Ltd		Document number: 1HC0010298		Sht. no.: 6

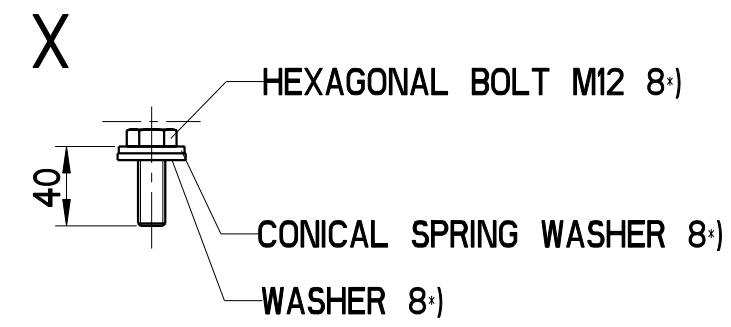
We reserve all rights in this document and in the information contained therein. Reproduction, use or disclosure to third parties without express authority is strictly forbidden.
© Copyright 2002 ABB. All rights reserved.

SUBJECT TO CHANGES WITHOUT NOTICE



**TESTED CONNECTION ZONE
(ACCORDING TO IEC 61936-1)**
 RATED LIGHTNING IMPULSE WITHSTAND VOLTAGE 150kV
 VALID FOR BOTH GENERATOR AND TRANSFORMER SIDE
 ANY DEVIATION FROM THIS DRAWING AND / OR METHOD
 OF INSTALLATION COULD CAUSE INJURY TO PEOPLE
 AND DAMAGE TO EQUIPMENT

DIELECTRIC DESIGN OUTSIDE
 OF THE CB ENCLOSURE IS
 NOT PART OF ABB'S SCOPE
 OF SUPPLY AND SHALL FOLLOW
 APPLICABLE STANDARDS.



8*) NOT SCOPE OF SUPPLY (ABB SWITZERLAND LTD.)
 MAY BE ORDERED SEPARATELY
 7*) SPACE REQUIRED TO EXCHANGE THE CURRENT
 TRANSFORMER

Prepared: 2007-10-17 RHYNER	Derived from / Replaces:	Sep.PL same no.: <input type="checkbox"/> Without sep. PL: <input checked="" type="checkbox"/> Scale: %	Doc.type: ZE1	Format: A3
Checked: 2007-10-25 STEDING	Responsible department: PTHG-T	Sep.PL anoth.no.: <input type="checkbox"/>	Title: CIRCUIT-BREAKER SYSTEM OUTLINE DRAWING	
Approved: 2008-02-18 MOLLENKOPF	Take over department:	HEC 7		Language: EN
Revision: AF 2007-10-17 RHYNER		TESTED CONNECTION ZONE		No. Shts.: 10
ABB Switzerland Ltd		Document number: 1HC0010298		Sht. no.: 7

We reserve all rights in this document and in the information contained therein. Reproduction, use or disclosure to third parties without express authority is strictly forbidden.
 © Copyright 2002 ABB. All rights reserved.

SUBJECT TO CHANGES WITHOUT NOTICE

COMPENSATOR
BETWEEN IPB AND CB 8^x)

COMPENSATOR
BETWEEN IPB AND CB 8^x)

ISOLATED PHASE BUS 8^x)

ISOLATED PHASE BUS 8^x)

$F_{max.} = 5000\text{ N}$

$F_{max.} = 5000\text{ N}$

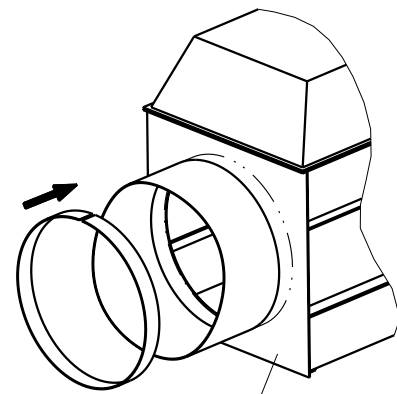
SUPPORT 8^x)

SUPPORT 8^x)

max. 2000

2950

max. 2000



SHEET ALUMINIUM 99.5

CONNECTING RING (PROPOSAL) 8^x)

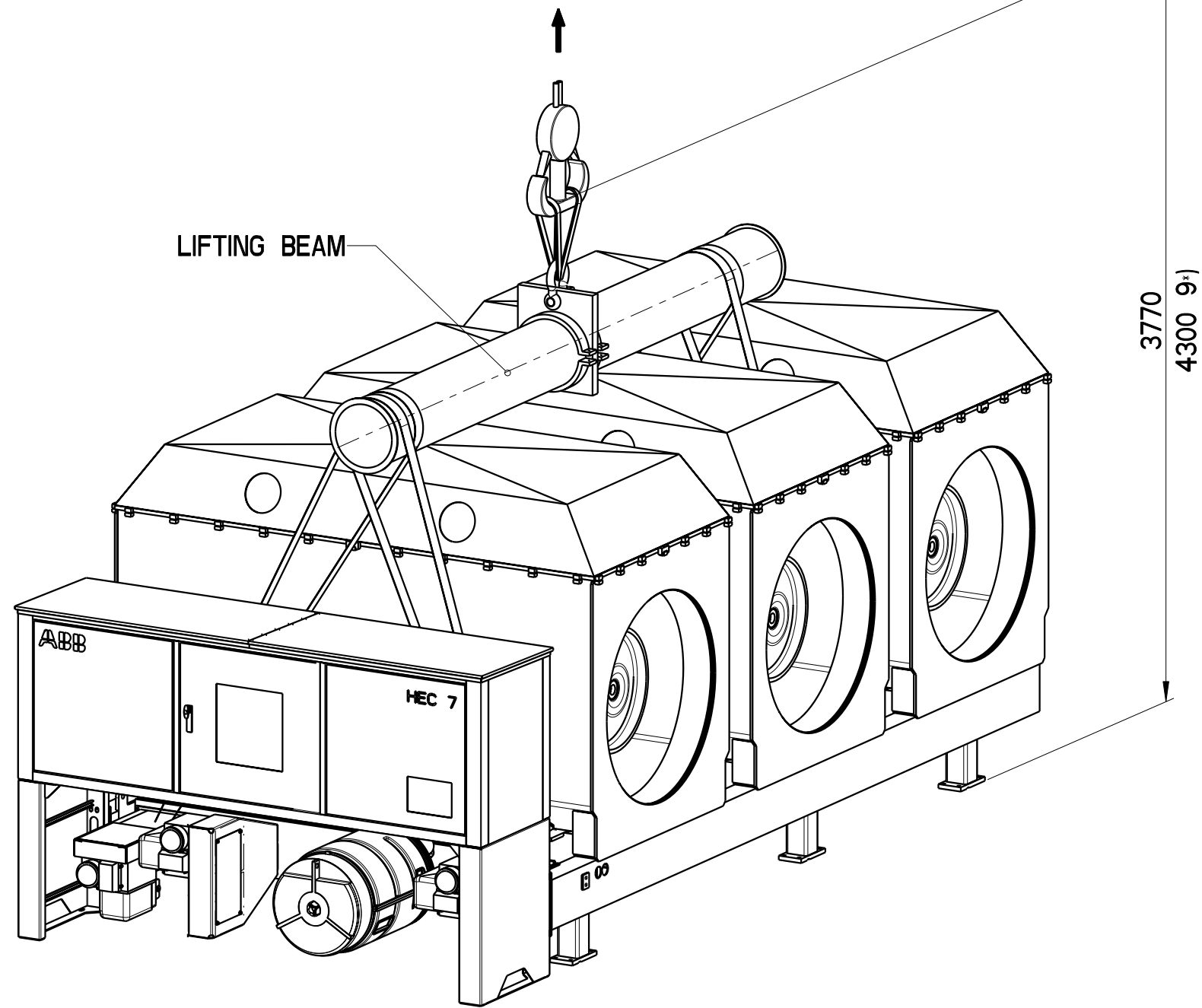
8^x) NOT SCOPE OF SUPPLY (ABB SWITZERLAND LTD.)

Prepared: 2007-10-17 RHYNER	Derived from / Replaces:	Sep.PL same no.: <input type="checkbox"/> Without sep. PL: <input checked="" type="checkbox"/> Scale: % Sep.PL anoth.no.: <input type="checkbox"/>	Doc.type: ZE1	Format: A3
Checked: 2007-10-25 STEDING	Responsible department: PTHG-T	Title: CIRCUIT-BREAKER SYSTEM OUTLINE DRAWING		Language: EN
Approved: 2008-02-18 MOLLENKOPF	Take over department:	HEC 7		
Revision: AF 2007-10-17 RHYNER		ERECTION		No. Shts.: 10
ABB Switzerland Ltd		Document number: 1HC0010298		Sht. no.: 8

We reserve all rights in this document and in the information contained therein. Reproduction, use or disclosure to third parties without express authority is strictly forbidden.
© Copyright 2002 ABB. All rights reserved.

SUBJECT TO CHANGES WITHOUT NOTICE

MAX. WEIGHT 15000 kg
WITHOUT SHORT CIRCUITING LINK

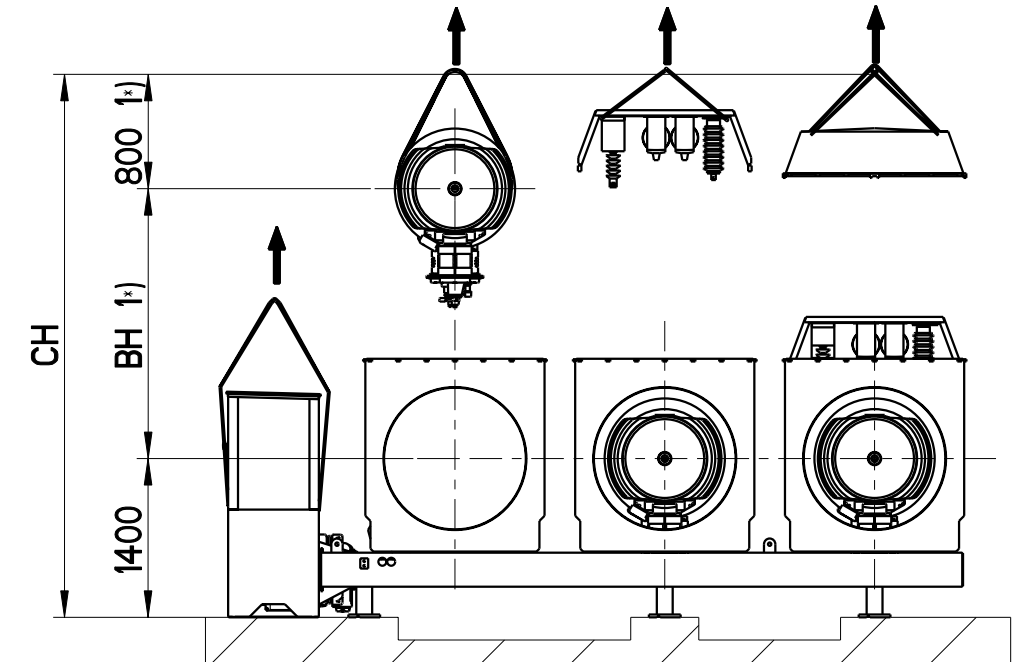
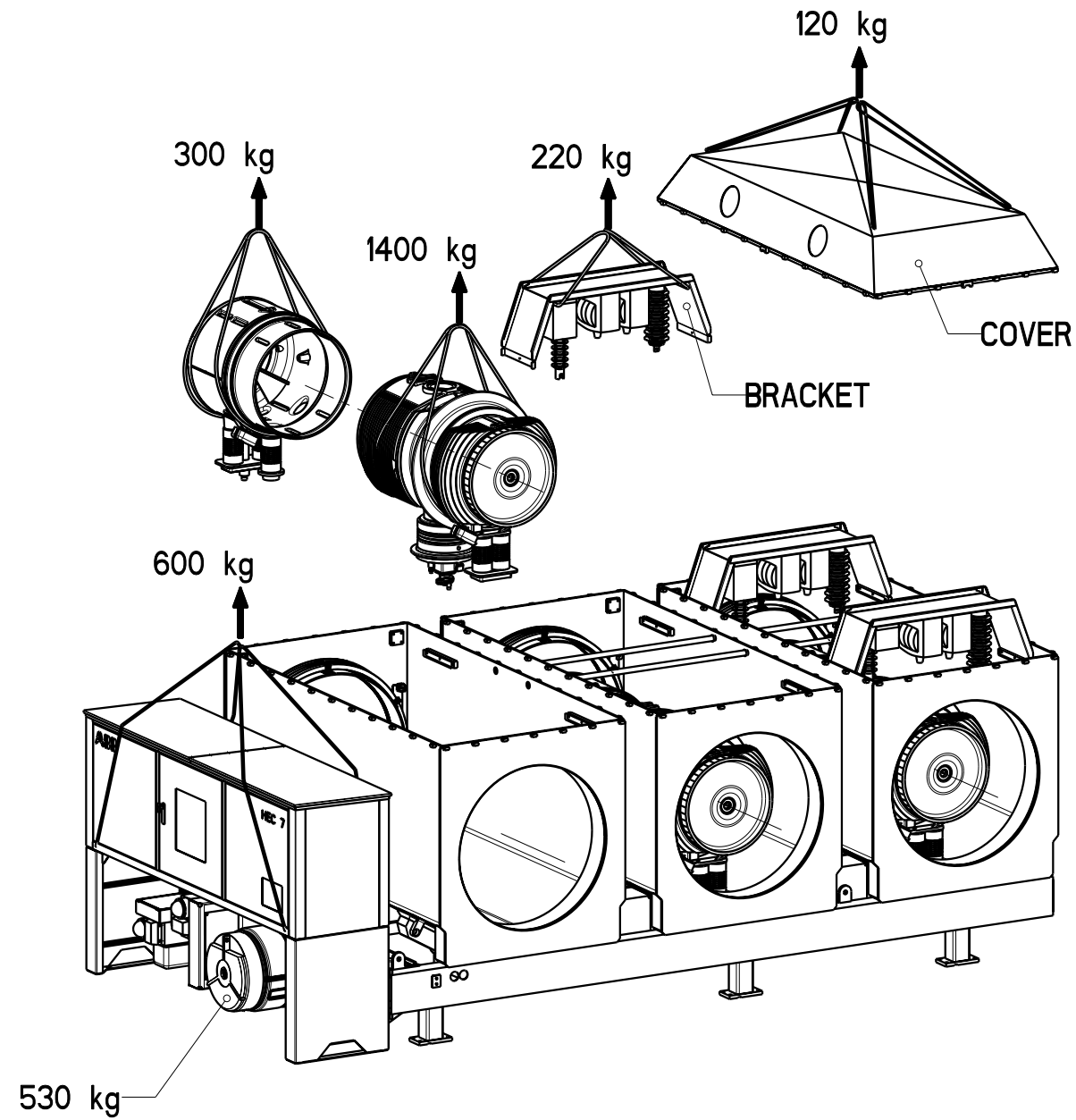


9+) WITH SHORT CIRCUITING LINK

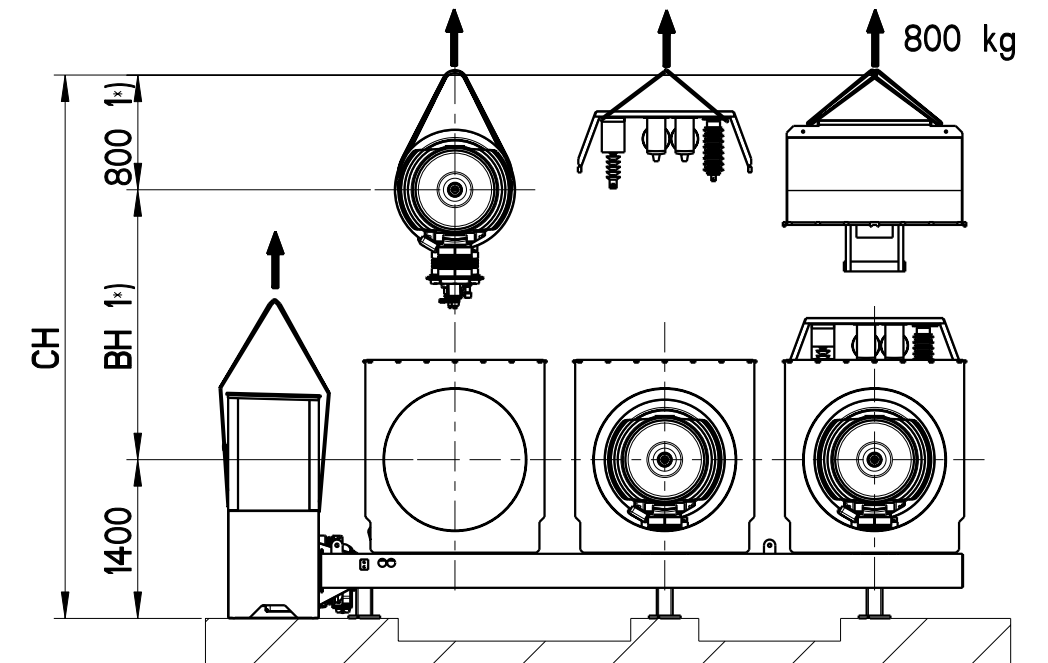
Prepared: 2007-10-17 RHYNER	Derived from / Replaces:	Sep.PL same no.: <input type="checkbox"/> Without sep. PL: <input checked="" type="checkbox"/> Scale: %	Doc.type: ZE1	Format: A3
Checked: 2007-10-25 STEDING	Responsible department: PTHG-T	Sep.PL anoth.no.: <input type="checkbox"/>	Title: CIRCUIT-BREAKER SYSTEM OUTLINE DRAWING	
Approved: 2008-02-18 MOLLENKOPF	Take over department:	HEC 7		Language: EN
Revision: AF 2007-10-17 RHYNER		TRANSPORTATION		No. Shts.: 10
ABB ABB Switzerland Ltd		Document number: 1HC0010298		Sht. no.: 9

We reserve all rights in this document and in the information contained therein. Reproduction, use or disclosure to third parties without express authority is strictly forbidden.
© Copyright 2002 ABB. All rights reserved.

SUBJECT TO CHANGES WITHOUT NOTICE



	BH	CH
WITH COVER	2400	4600
WITHOUT COVER AND BRACKET	2000	4200



	BH	CH
WITH COVER MOTOR OPERATED SHORT CIRCUITING LINK	2850	5050
WITHOUT COVER AND BRACKET	2000	4200

1*) MIN. SPACE REQUIRED FOR ERECTION AND MAINTENANCE

We reserve all rights in this document and in the information contained therein. Reproduction, use or disclosure to third parties without express authority is strictly forbidden.
© Copyright 2002 ABB. All rights reserved.

SUBJECT TO CHANGES WITHOUT NOTICE

Prepared: 2007-10-17 RHYNER	Derived from / Replaces:	Sep.PL same no.: <input type="checkbox"/> Without sep. PL: <input checked="" type="checkbox"/> Scale: %	Doc.type: ZE1	Format: A3
Checked: 2007-10-25 STEDING	Responsible department: PTHG-T	Sep.PL anoth.no.: <input type="checkbox"/>	Title: CIRCUIT-BREAKER SYSTEM OUTLINE DRAWING	
Approved: 2008-02-18 MOLLENKOPF	Take over department:	HEC 7		Language: EN
	Revision: AF 2007-10-17 RHYNER	SERVICE AND MAINTENANCE		No. Shts.: 10
		Document number: 1HC0010298		Sht. no.: 10

ABB ABB Switzerland Ltd